

MARSH PLANT HIRE LTD

# JCB 540-170

## HYDRAULICS

Gear pump, with suction strainer and filter allows simultaneous operation of raise/lower and extend/retract.

Operating system pressure	bar (psi)	260 (3770)
Flow at system pressure @ 2200rpm	ltr/min	90+72
<b>Hydraulic Cycle Times</b>		<b>Seconds</b>
Stabiliser lower		6.6
Stabiliser lift		4.9
Boom raise and extend		41.8
Boom lower and retract		33
Bucket dump		4.7
Bucket crowd		5.1



## ENGINE

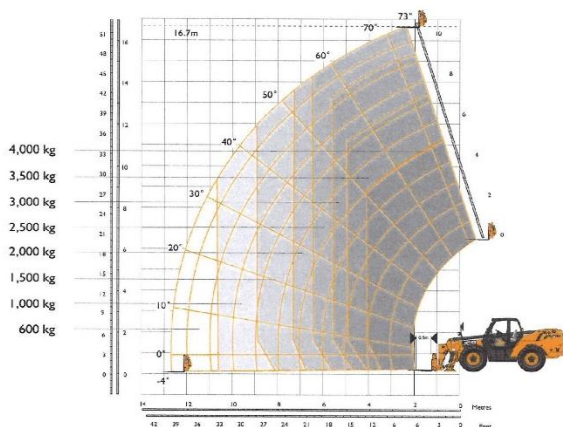
Latest technology and advanced design provides low fuel consumption, reduced noise, high torque and power output, total reliability and minimal maintenance. Two-stage, dry type air filter with primary and safety elements. Territory dependent.

		Standard Stage II	Standard Stage III	Standard Stage IIIb	Option Stage III	Option Stage III	Option Stage IIIb
Engine standard		JCB	JCB	JCB	JCB	JCB	JCB
Manufacturer		JCB	JCB	JCB	JCB	JCB	JCB
Displacement	ltr (in <sup>3</sup> )	4.4 (269)	4.4 (269)	4.4 (269)	4.4 (269)	4.4 (269)	4.4 (269)
No. of cylinders		4	4	4	4	4	4
Bore size	mm (in)	103 (4.05)	103 (4.05)	103 (4.05)	103 (4.05)	103 (4.05)	103 (4.05)
Stroke	mm (in)	132 (5.0)	132 (5.0)	132 (5.0)	132 (5.0)	132 (5.0)	132 (5.0)
Aspiration		Turbo	Turbocharged Cooled	Turbocharged Cooled	Turbocharged Cooled	Turbocharged Cooled	Turbocharged Cooled
<b>Power rating</b>							
Power @ 2200rpm	kW (HP)	74.2 (100)	74.2 (100)	81 (109)	85.0 (114)	97 (130)	93 (125)
<b>Torque rating</b>							
Torque @ 1300rpm	Nm (lbf ft)	425 (313)	440 (324)	—	440 (324)	—	—
Torque @ 1500rpm	Nm (lbf ft)	—	—	516 (381)	—	532 (392)	550 (406)

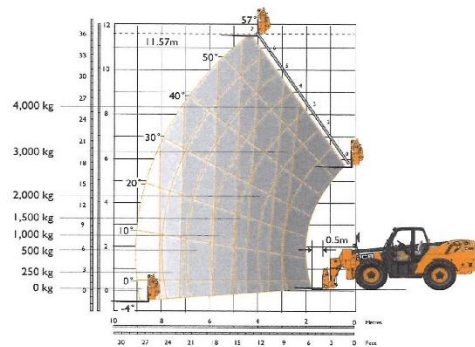


LOADALL | 540-170

### LIFT PERFORMANCE – STABILISERS EXTENDED



### LIFT PERFORMANCE – STABILISERS RETRACTED



Chassis Levelling (Sway)  
With stabilisers retracted (Sway angle ±9°)

### LIFT PERFORMANCE – STABILISERS EXTENDED

With stabilisers extended		
Maximum lift capacity	kg (lb)	4000 (8820)
Lift capacity to full height	kg (lb)	2500 (5510)
Lift capacity at full reach	kg (lb)	600 (1320)
Lift height	m (ft-in)	16.7 (54-9)
Reach at maximum lift height	m (ft-in)	2.05 (6-9)
Maximum forward reach	m (ft-in)	12.50 (41-0)
Reach with 1 tonne load	m (ft-in)	10.50 (34-5)
Placing Height	m (ft-in)	16.70 (53-2)

Complies with stability test EN 1459 Annex B.

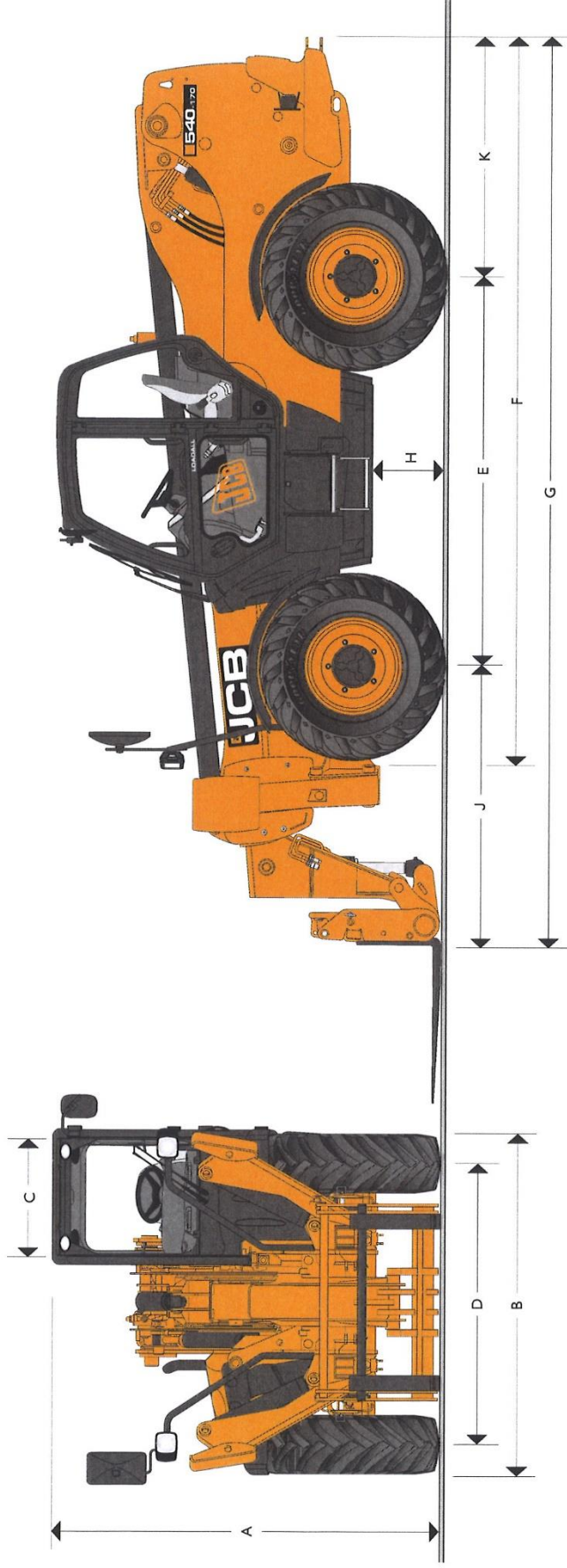
### LIFT PERFORMANCE – STABILISERS RETRACTED

With Stabilisers Retracted		
Maximum lift capacity	kg (lb)	4000 (8820)
Lift capacity to maximum lift height	kg (lb)	1500 (3310)
Lift capacity at full reach	kg (lb)	0 (0)
Maximum lift height	m (ft-in)	11.57 (37-11)
Reach at maximum lift height	m (ft-in)	4.15 (13-7)
Maximum forward reach	m (ft-in)	9.04 (29-8)
Reach with 1 tonne load	m (ft-in)	5.76 (18-11)
Placing Height	m (ft-in)	10.90 (35-9)

Complies with stability test EN 1459 Annex B.



MAX. PAYLOAD: 4.0 tonnes (8820lb) MAX. LIFT HEIGHT: 16.7 metres (54ft 9in)



STATIC DIMENSIONS

Machine model	540-170	540-170	
	m (ft-in)	m (ft-in)	
A Overall height	2.69 (8-10)	J Front wheel centre to carriage	1.94 (6-4)
B Overall width (over tyres)*	2.44 (8-0)	K Rear wheel centre to rear face	1.67 (5-5)
C Inside width of cab	0.94 (3-1)	Overall width with stabilisers fully deployed	3.55 (11-8)
D Front track	1.90 (6-3)	Outside turn radius (over tyres)	4.1 (13-5)
E Wheelbase	2.75 (9-0)	Carriage roll back angle	39 degrees
F Overall length to front tyres	5.08 (16-8)	Carriage dump angle	8.8 degrees
G Overall length to front carriage	6.36 (20-10)	Weight	12060 (26586) kg (lb)
H Ground clearance	0.40 (1-4)	Tyres	15.5/80-24

\*Dependant upon tyre specified.